

BETRIEBSANLEITUNG  
OPERATING INSTRUCTIONS  
INSTRUCCIONES DE SERVICE  
ISTRUZIONI D'USO  
HANDLEIDING  
INSTRUCCIONES PARA EL MANEJO  
MANUAL DE INSTRUÇÕES  
NAUDOJIMOSI INSTRUKCIJA  
KASUTUSJUHEND  
LIETOŠANAS INSTRUKCIJA  
DRIFTSINSTRUKS  
DRIFTSINSTRUKTIONER  
DRIFTSVEJLEDNING  
INSTRUKCJA OBSŁUGI


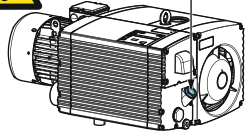


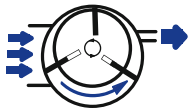




KEZELÉSI ÚTMUTATÓ  
NÁVOD K OBSLUZE  
NAVODILO ZA UPORABO  
NÁVOD NA OBSLUHU  
UPUTE ZA RAD  
MANUAL DE OPERATII  
TREORACHA OIBRIÚCHÁIN  
ΟΔΗΓΙΕΣ ΧΡΗΣΗΣ  
EL KITABI  
ИНСТРУКЦИИ ЗА ЕКСПЛОАТАЦИЯ  
ИНСТРУКЦИЯ ПО ЕКСПЛОАТАЦИИ  
取扱説明書  
사용설명서  
使用说明书

## U 5.101

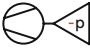


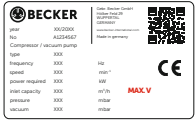
**MAKE IT BECKER.**







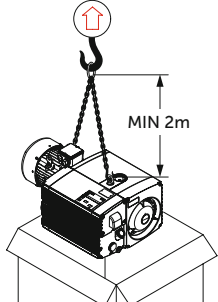
 **BECKER**

 	 <p>Becker Lube M/S/SL 100 ▷ 2.0 Liter</p>	
		
 <p><input checked="" type="checkbox"/> AIR</p>		
		

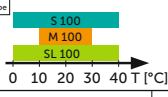

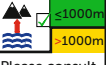

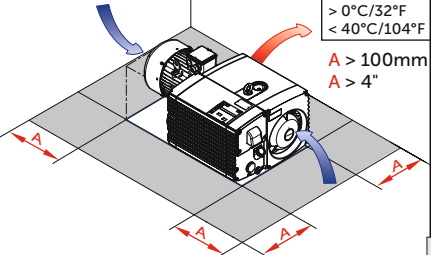
1

 <p><b>MAX. VACUUM</b></p>		<p>mbar</p>
	 <p><b>MAX.</b></p>	
<p>DIN EN ISO 11203 Accuracy Class 2 K<sub>pA</sub> = 3 dB(A) l ← 1m</p>		<p>L<sub>pA</sub> = 65 dB(A) - 50Hz L<sub>pA</sub> = 68 dB(A) - 60Hz</p>





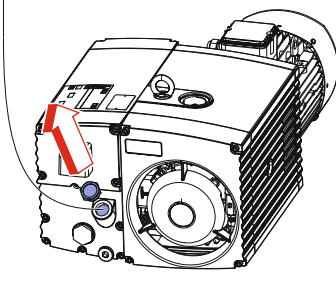
2

			 <p>67 kg 148 lbs</p>
			


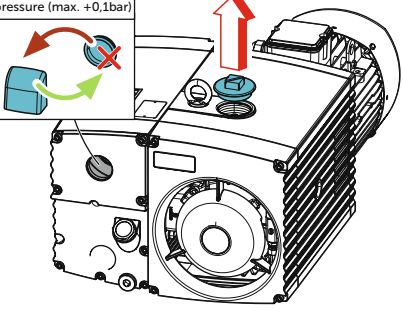
3

	<p>Avoid condensation</p>  <p>max. 90%</p>	 <p>≤1000m &gt;1000m</p>
<p>Please consult <b>BECKER</b></p>		
 <p>&gt; 0°C/32°F &lt; 40°C/104°F</p>		
 <p>A &gt; 100mm A &gt; 4"</p>		

4

 <p>23 <b>2.0 Liter</b></p>	 <p><b>MAX</b></p>	 
		

5

 <p>exhaust air has to escape without back- pressure (max. +0.1bar)</p>	
--	---

6

<b>Standard</b>	
< 2m	G1¼
> 2m...10m	G1½

**VACUUM**

7

optional en option opcionale opcional	
--	--

8

<b>AIR</b>			
?			

U 5.101/0-04  
U 5.101/0-05  
U 5.101/0-06  
U 5.101/0-07

**Optional**

~~U 5.101/0-00  
U 5.101/0-01  
U 5.101/0-02  
U 5.101/0-03~~

**Standard** not adjustable

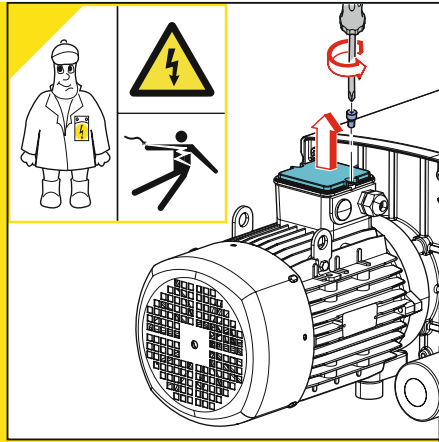
9

10

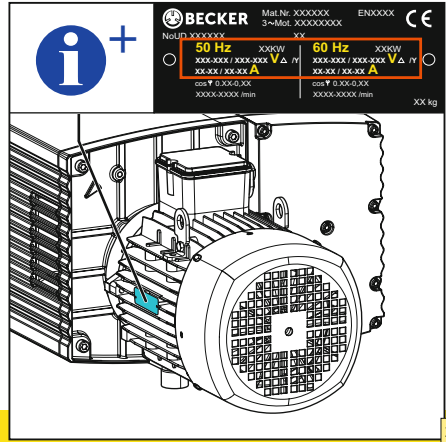
<b>Optional</b>		$p_{abs}$ [mbar]	
<b>Standard</b>	<b>1,0 mbar [abs]</b>		
<b>Optional</b>	<b>0.1/3.0 mbar [abs]</b>		

Spare parts list

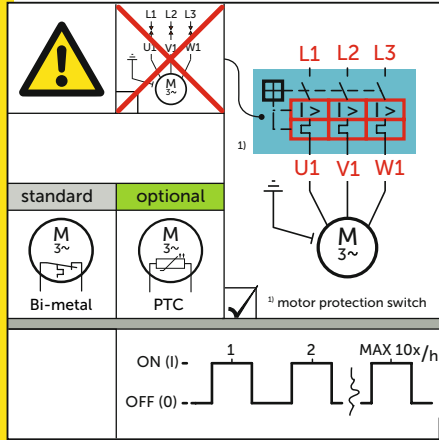
11



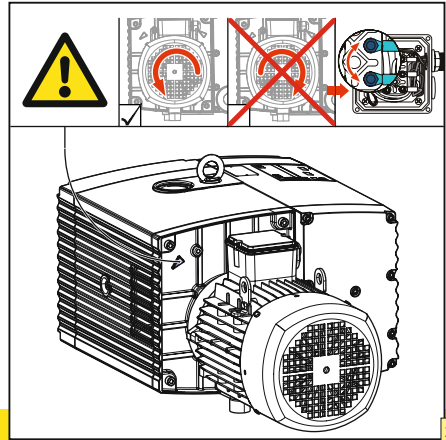
12



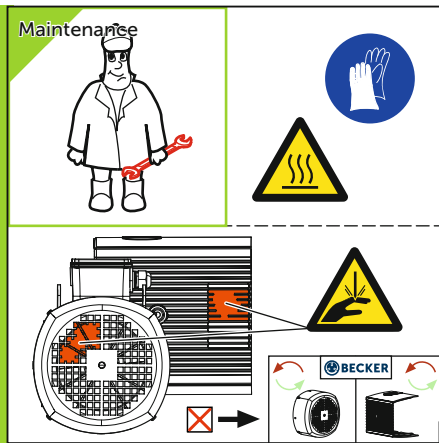
13



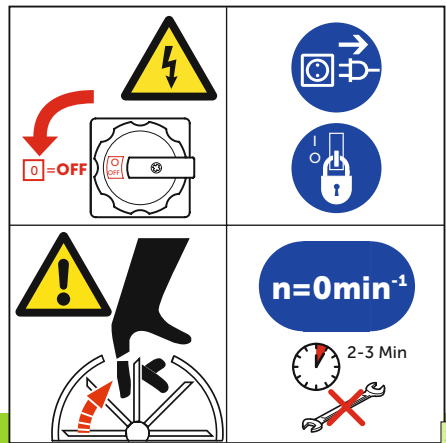
14




15



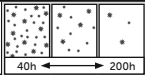
16




17



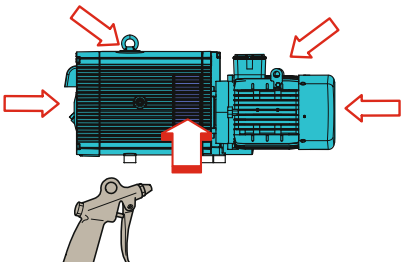
**40 - 200 h**




**AMBIENT AIR ?**





**EN149 - FFP3**  
42 CFR 84 - N100





18

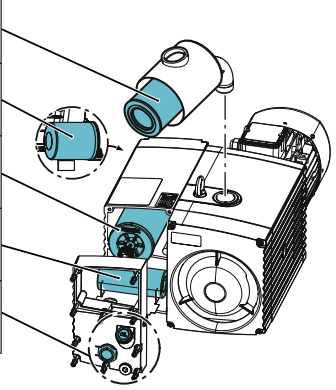
▶ 24 

▶ 21 

▶ 25-26 

▶ 27-30 


▶ 20-23 




19

MAX ▼  
MIN ▲

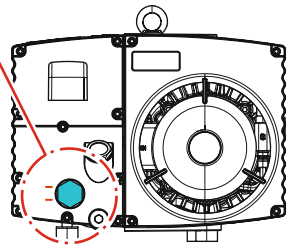
**40 h**



**! < MIN**





Becker Lube  
**M/S/SL 100**

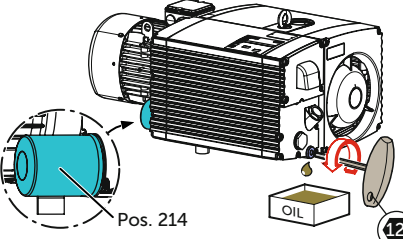


20


**1. = 500 h**  
**2. = 2000 h**  
**3. = 4000 h**  
... (min. 2x/a)









21

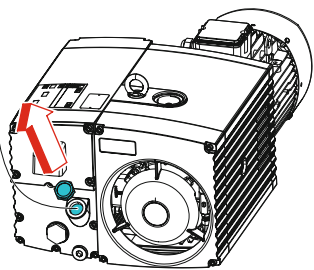
▶ 23 

**2.0 Liter**


**! MAX**

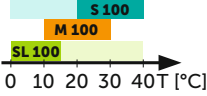






22

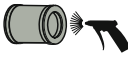
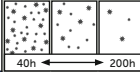
▶ 

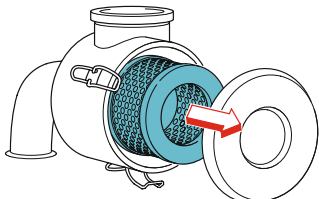


**!**


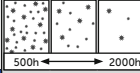

<b>Becker Lube M 100</b> (Mineral oil)	
- 1 Liter	96000900001
- 5 Liter	96000900201
<b>Becker Lube S 100</b> (Synthetic oil)	
- 1 Liter	96001600101
- 5 Liter	96001600201
<b>Becker Lube SL 100</b> (Food)	
- 1 Liter	96002300101
- 5 Liter	96002300201

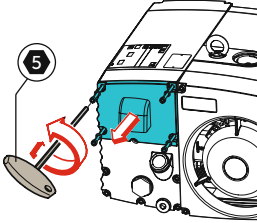
23


		<b>MIN</b> <b>1x/a</b>
<b>40-200 h</b>	<b>INTAKE AIR ?</b>	




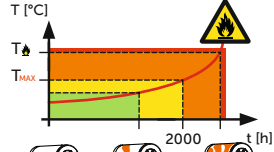


24

		0-400 mbar abs. 
<b>MAX</b> <b>2000 h</b>	<b>INTAKE AIR ?</b>	<b>VACUUM</b>

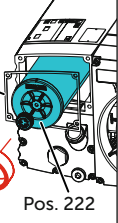



10x  **14Nm**


25

Pos. 233






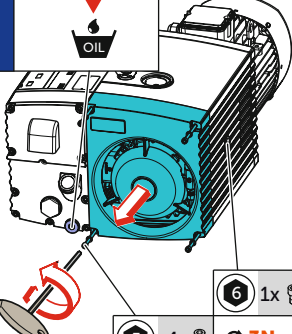
1. 


2. 



Pos. 222

26

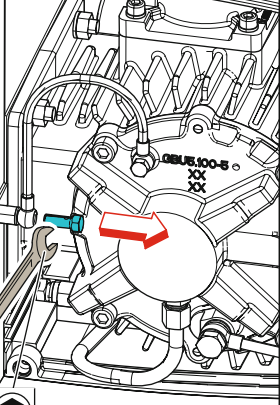
	1. 	2. 
<b>6000 h</b>	<b>OIL</b>	



6  **1x**

5  **4x**  **3Nm**

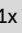

27



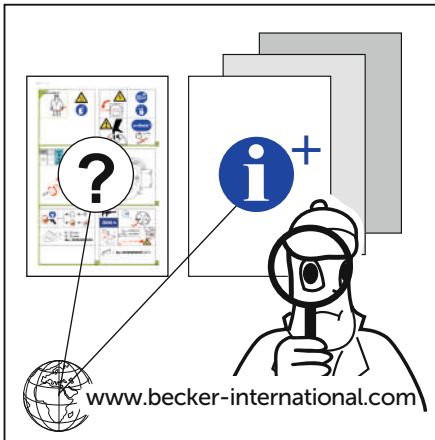
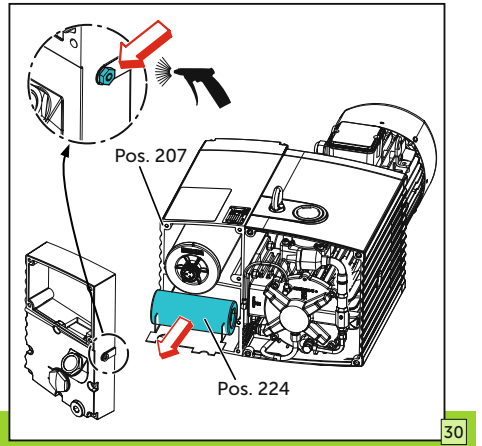
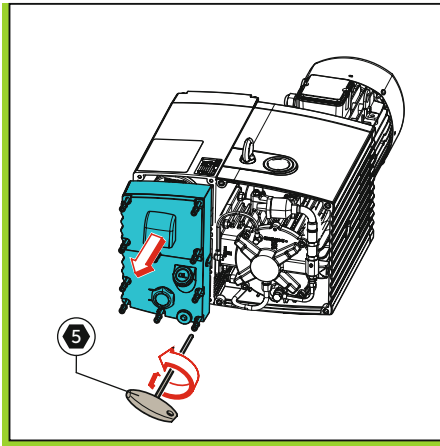
OIL

OIL

08L5.100-8  
XX  
XX

1x  **6Nm** 9 

28



Gebr. Becker GmbH  
Hoelker Feld 29-31  
42279 WUPPERTAL  
GERMANY  
[info@becker-international.com](mailto:info@becker-international.com)  
[www.becker-international.com](http://www.becker-international.com)

**BECKER**



**MAKE IT BECKER.**

28100054230 | 2020-10-28 | All rights reserved